



ES5-12

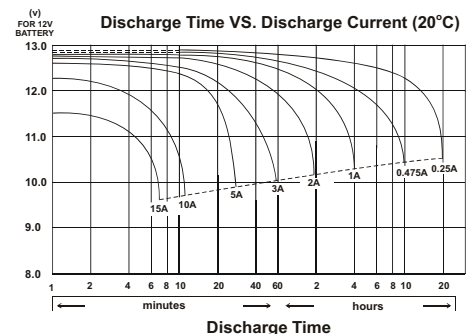
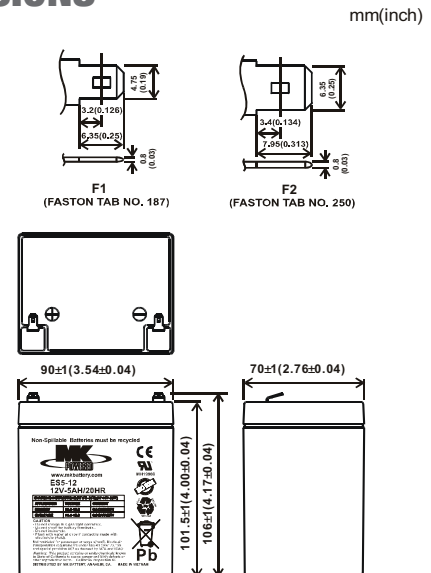
SPECIFICATIONS

Nominal Voltage (V)	12V
Nominal Capacity	
20 hour rate (0.25A to 10.50V)	5Ah
10 hour rate (0.5A to 10.50V)	4.75Ah
5 hour rate (0.85A to 10.20V)	4.25Ah
1C (5A to 9.60V)	2.25Ah
3C (15A to 9.60V)	1.75Ah
Weight	Approx. 4.04Lbs. (1.83kg)
Internal Resistance (at 1KHz)	19 mΩ
Maximum Discharge Current for 30 seconds :	100A
Maximum Discharge Current for 5 seconds :	200A
Operating Temperature Range	
Charge	0°C (32°F) to 40°C (104°F)
Discharge	-15°C (5°F) to 50°C (122°F)
Storage	-15°C (5°F) to 40°C (104°F)
Charge Retention (shelf life) at 20°C (68°F)	
1 month	92%
3 months	90%
6 months	80%
Charging Methods at 20°C (68°F)	
Cycle Use :	Charging Voltage 14.4 to 15.0V Maximum Charging Current : 1.5A
Standby Use :	Float Charging Voltage 13.50 to 13.80V
Life expectancy :	
Cycle Use :	100% depth of discharge 200 cycles 80% depth of discharge 225 cycles 50% depth of discharge 500 cycles
Standby Use :	3-5 years
Case Material :	ABS (Option : 94-HB & 94V-0 Flame Retardant Case Material)
Terminal :	F1 or F2

Maintenance-Free Rechargeable Sealed Lead-Acid Battery



DIMENSIONS



Vertrieben durch:



EMG Elektromobile GmbH & Co. KG
 Beerenstraße 5 · D-33803 Steinhagen / Westf.
 Telefon: 0 52 04 / 8 71 90 - 0 · Telefax: 0 52 04 / 8 71 90 - 20
 info@emg-elektromobile.com · www.emg-elektromobile.com

