



MU-1 SLD M

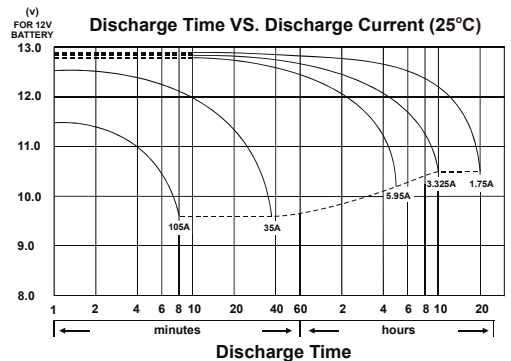
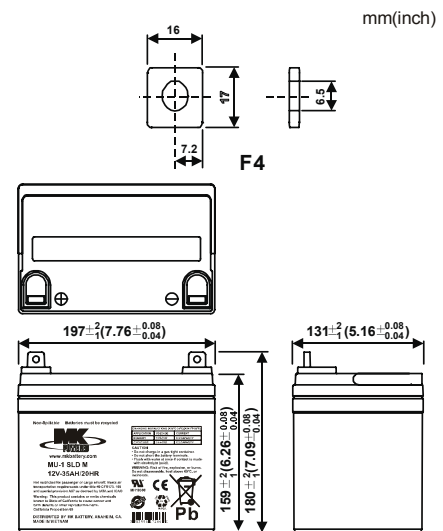
SPECIFICATIONS

Nominal Voltage (V)	12V
Nominal Capacity	
20 hour rate (1.75A to 10.50V)	35Ah
10 hour rate (3.325A to 10.50V)	33.25Ah
5 hour rate (5.95A to 10.20V)	29.75Ah
1C (35A to 9.60V)	22.17Ah
3C (105A to 9.60V)	14Ah
Weight	Approx. 23.1Lbs. (10.5kg)
Internal Resistance (at 1KHz)	10 mΩ
Maximum Discharge Current for 5 seconds :	525A
Operating Temperature Range	
Charge	-15°C (5°F) to 40°C (104°F)
Discharge	-15°C (5°F) to 50°C (122°F)
Storage	-15°C (5°F) to 40°C (104°F)
Charge Retention (shelf life) at 20°C (68°F)	
1 month	92%
3 months	90%
6 months	80%
Charging Methods at 25°C (77°F)	
Cycle Use :	Charging Voltage 14.4 to 15.0V Maximum Charging Current : 10.5A
Standby Use :	Float Charging Voltage 13.50 to 13.80V
Life expectancy :	
Cycle Use :	100% depth of discharge 200 cycles 80% depth of discharge 225 cycles 50% depth of discharge 500 cycles
Standby Use :	3-5 years
Case Material :	ABS (Option : 94-HB & 94V-0 Flame Retardant Case Material)
Terminal :	F4

Sealed Valve-Regulated Lead-Acid Battery



DIMENSIONS



Vertrieben durch:



EMG Elektromobile GmbH & Co. KG
 Beerenstraße 5 · D-33803 Steinhagen / Westf.
 Telefon: 0 52 04 / 8 71 90 - 0 · Telefax: 0 52 04 / 8 71 90 - 20
 info@emg-elektromobile.com · www.emg-elektromobile.com

